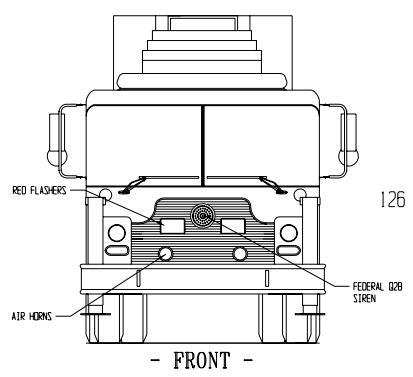
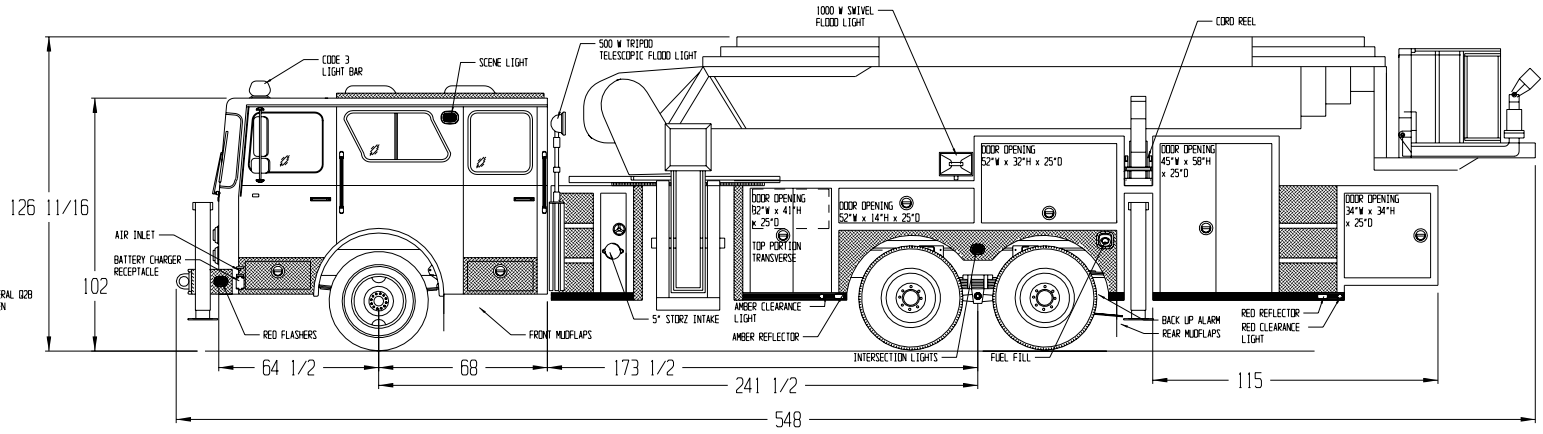


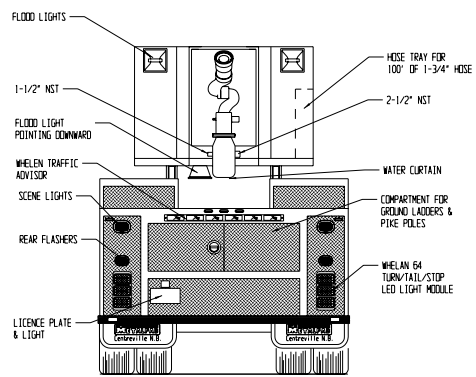
REVISIONS			
REV	DESCRIPTION	DATE	APPROVED
1	CHANGES AS PER MEETING WITH DEPARTMENT	02-02-04	



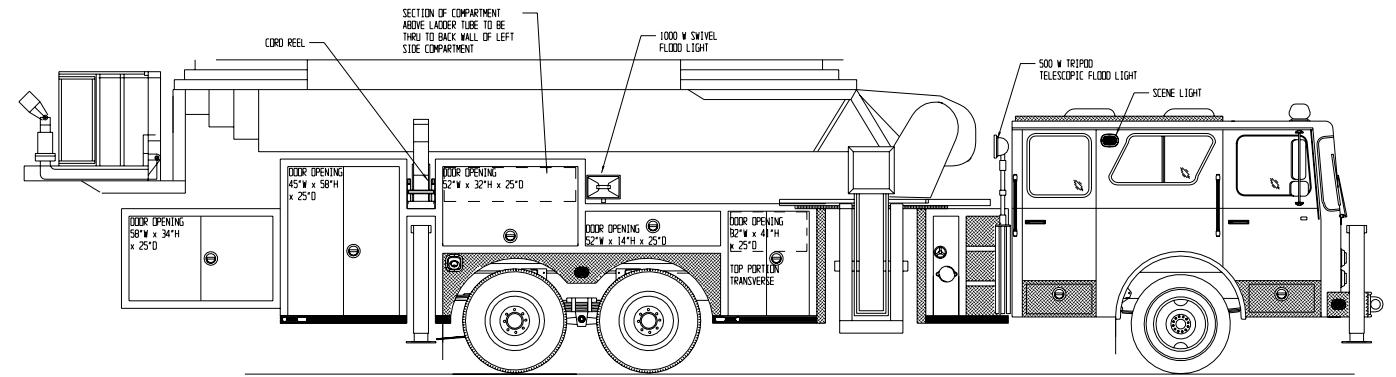
- FRONT -



- LEFT SIDE -



- REAR -



- RIGHT SIDE -

CHASSIS: MACK CHASSIS
PUMP: N/A
TANK: N/A
FOAM: N/A
LADDER: 95'-00" AERIALSCOPE W/4" WATERWAY

- ALL ALUMINUM CONSTRUCTION : ALL DIMENSIONS ARE IN INCHES AND APPROXIMATE -

		JOB No.:	PROPOSAL
		DRAWN BY:	R. STACEY, CET
		CHK'D BY:	
		DATE:	12-17-03
		DOC NO:	FT-9381
		TOLERANCES:	SW ± 1/16 GEAR ± 1/16